

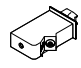
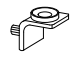
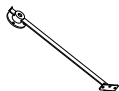

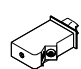
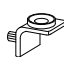

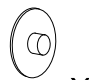




A	L
6	4



A
6

	8.0x30		3.0x13			4.0x30
B	D	G	H	S2	Q	H1
8	8	2	6	4	2	4

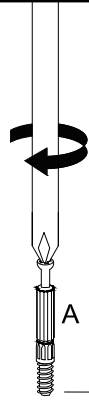
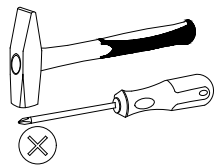
	8.0x30		4.0x30	
B	D	G	H1	S2
4	4	1	2	4

V-VII-IX-X-XIII

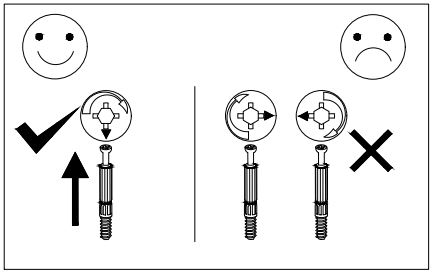
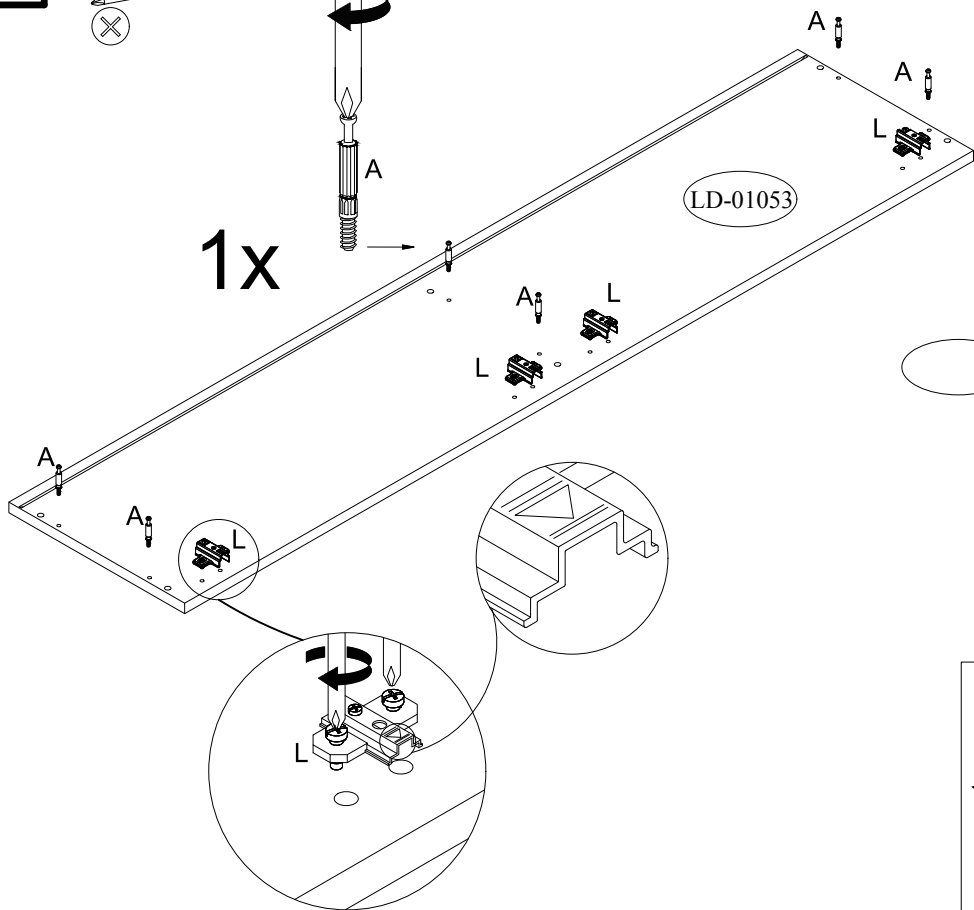
6.3X13				3.0x13			4.0x25
F	Z	X	I	H	S3	M	G
8	4	12	8	8	2	6	12

Ø-10.0

KR
1

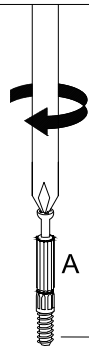
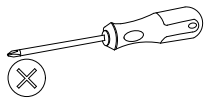
I



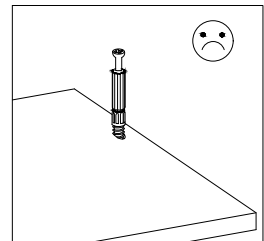
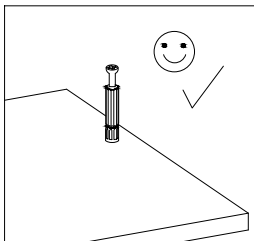
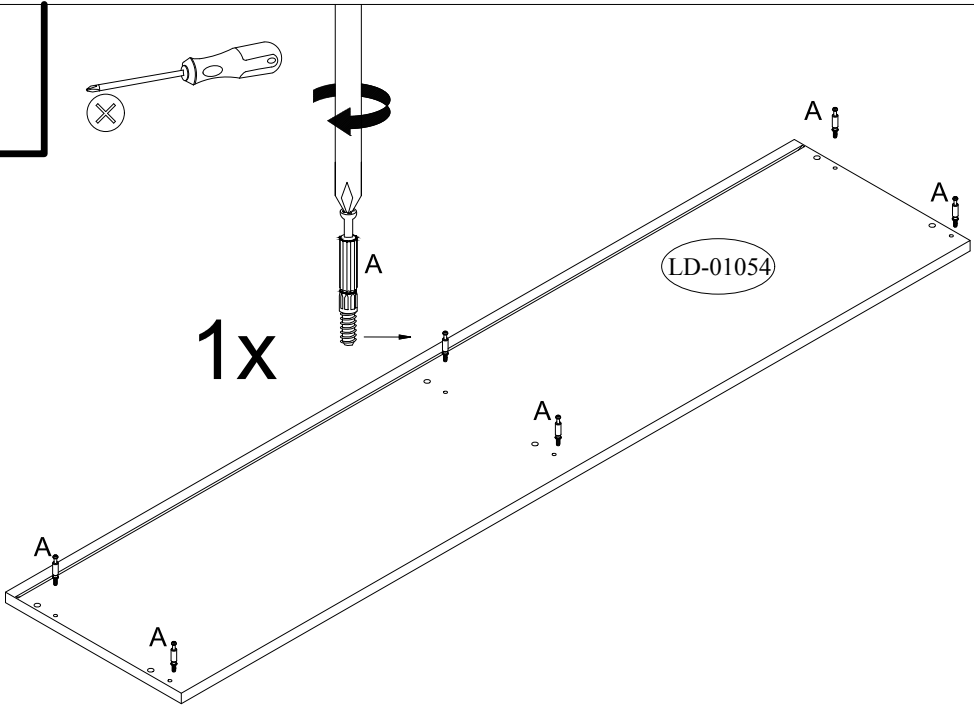
L	A
4	6

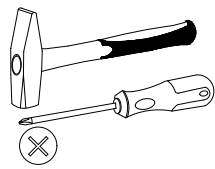


II



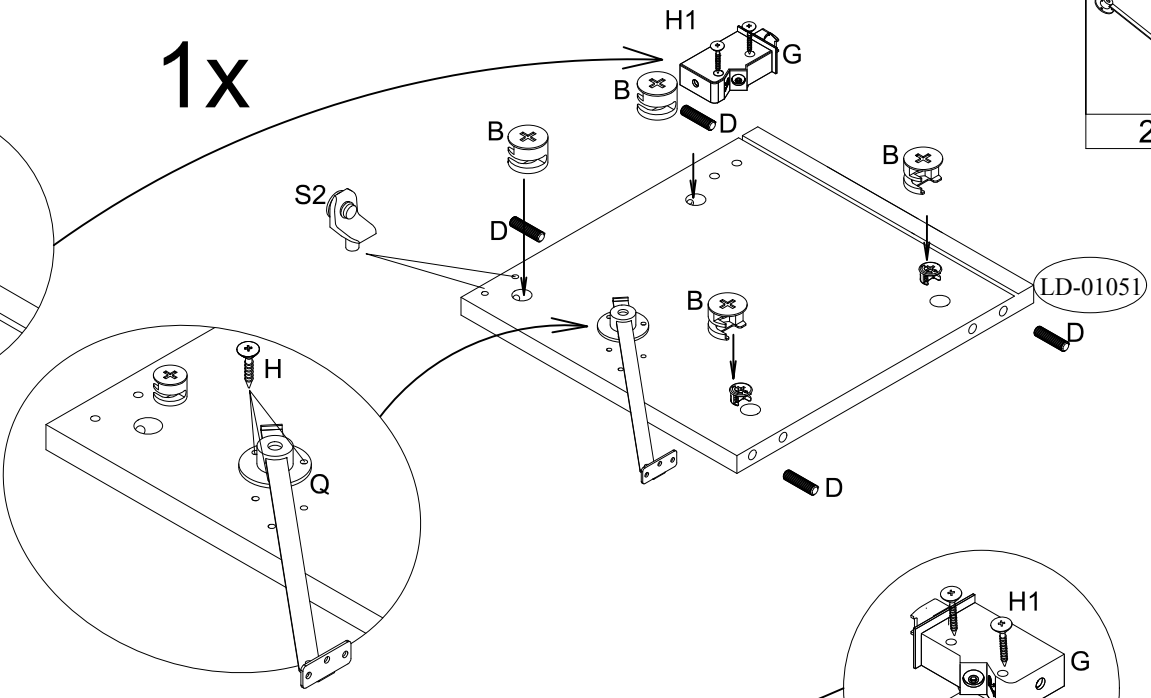
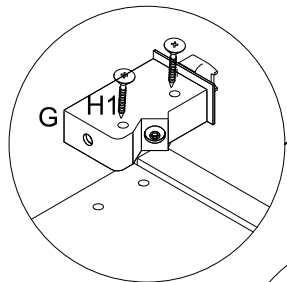
A
6





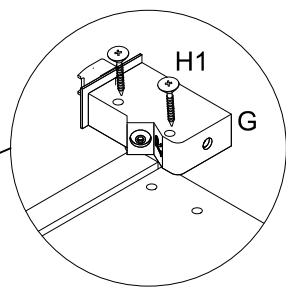
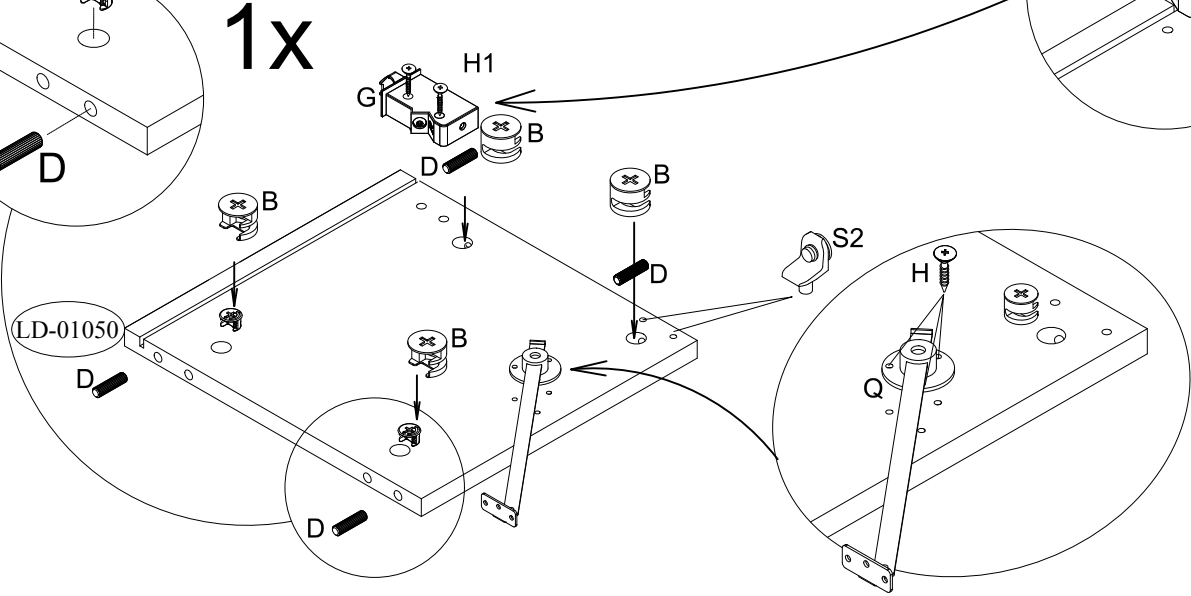
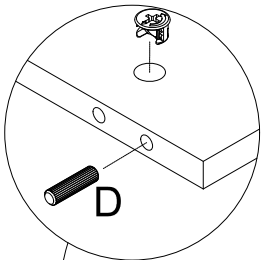
	3.0x13 		4.0x30 	8.0x30 	
S2	H	G	H1	D	B
4	6	2	4	8	8

1x

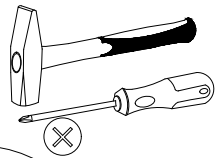


Q
2

1x

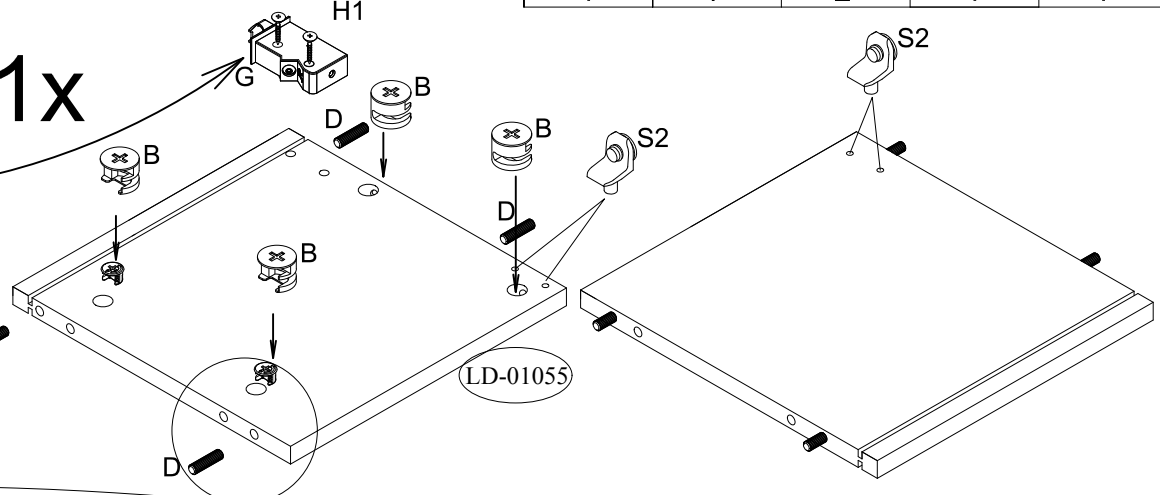
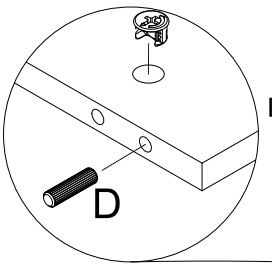
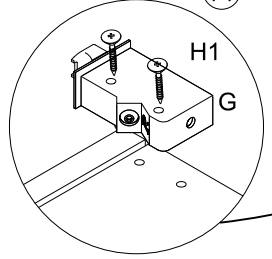


IV

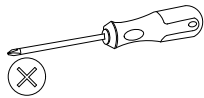


		4.0x30 	8.0x30 	
S2	G	H1	D	B
4	1	2	4	4

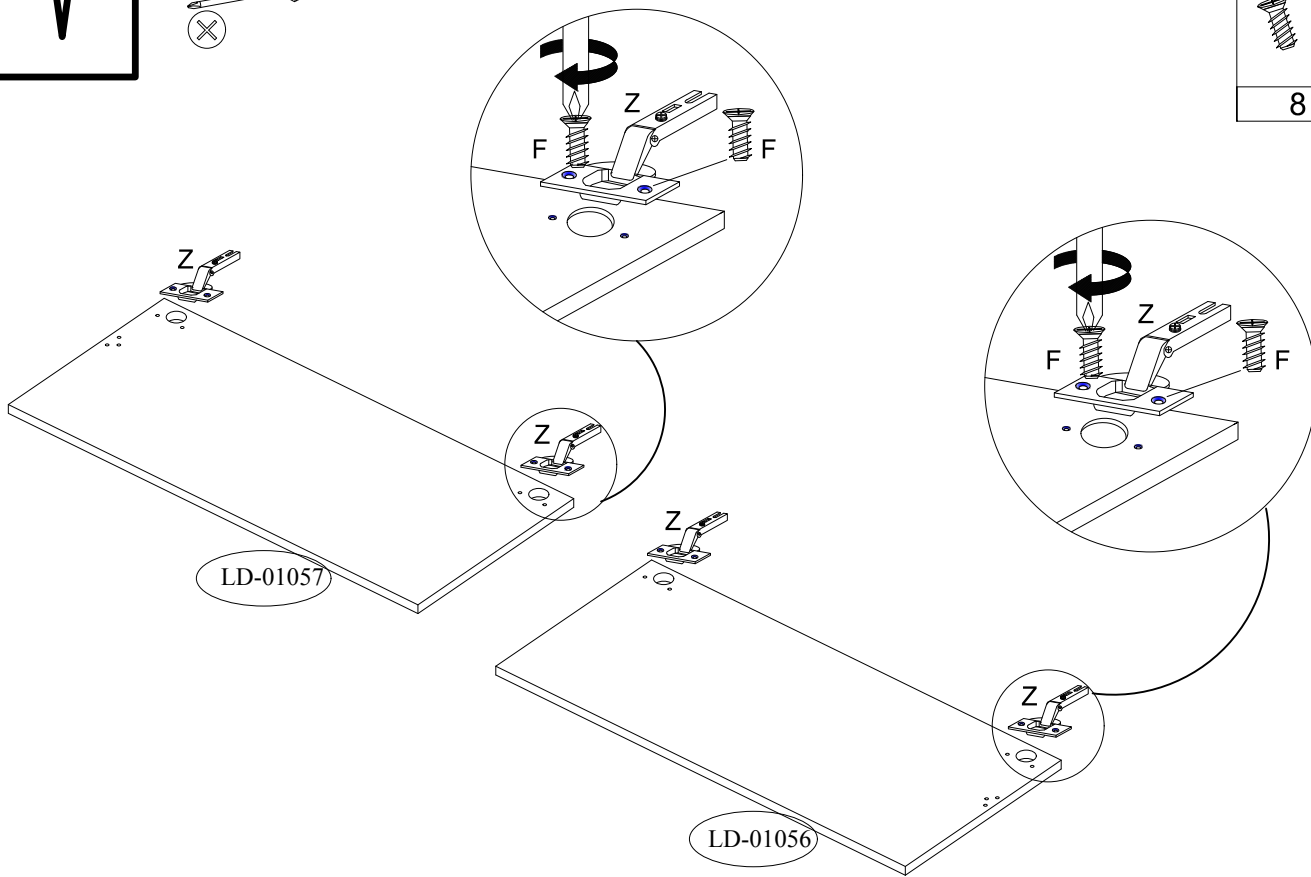
1x



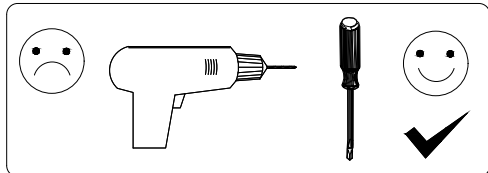
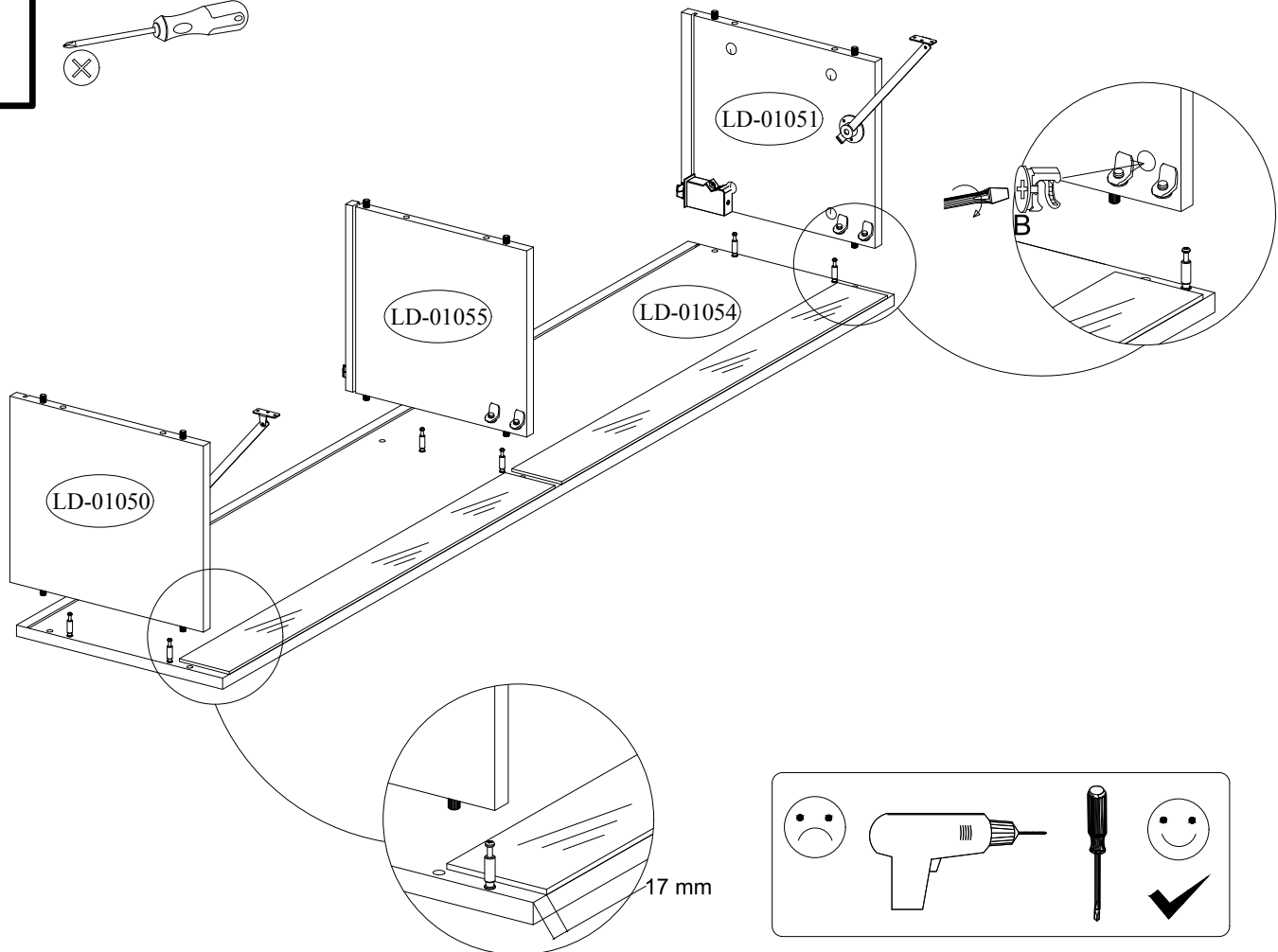
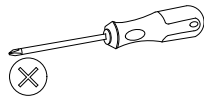
V



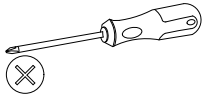
6.3X13		
	F	Z
	8	4





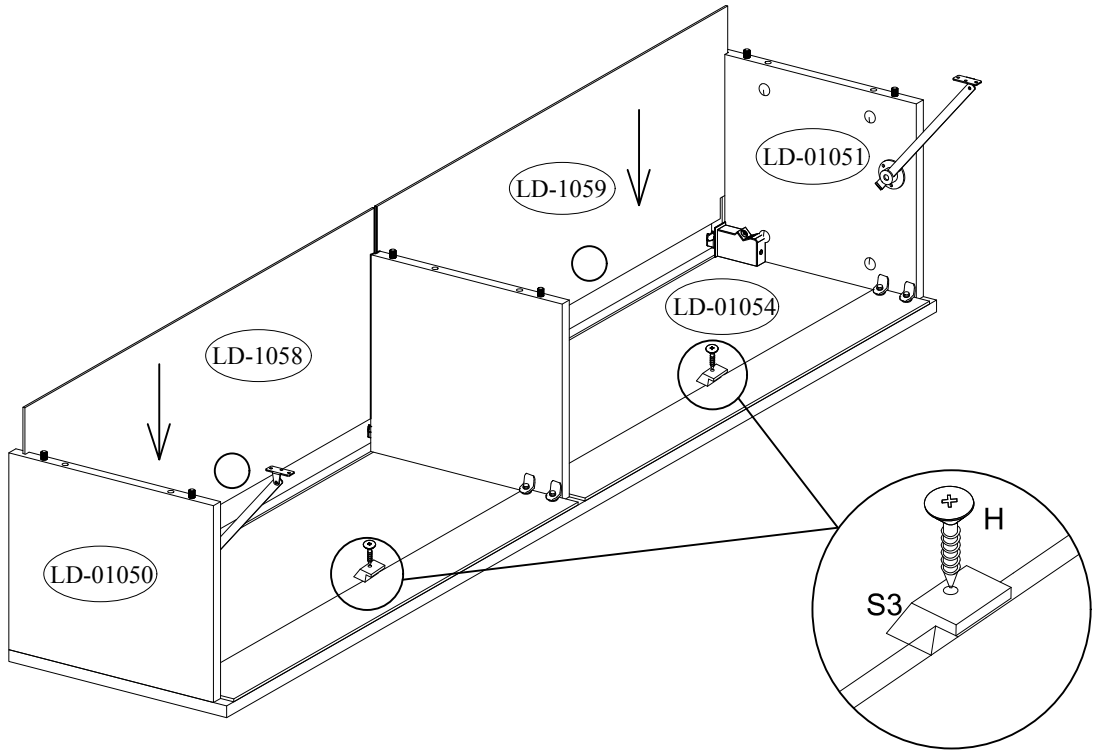
VI



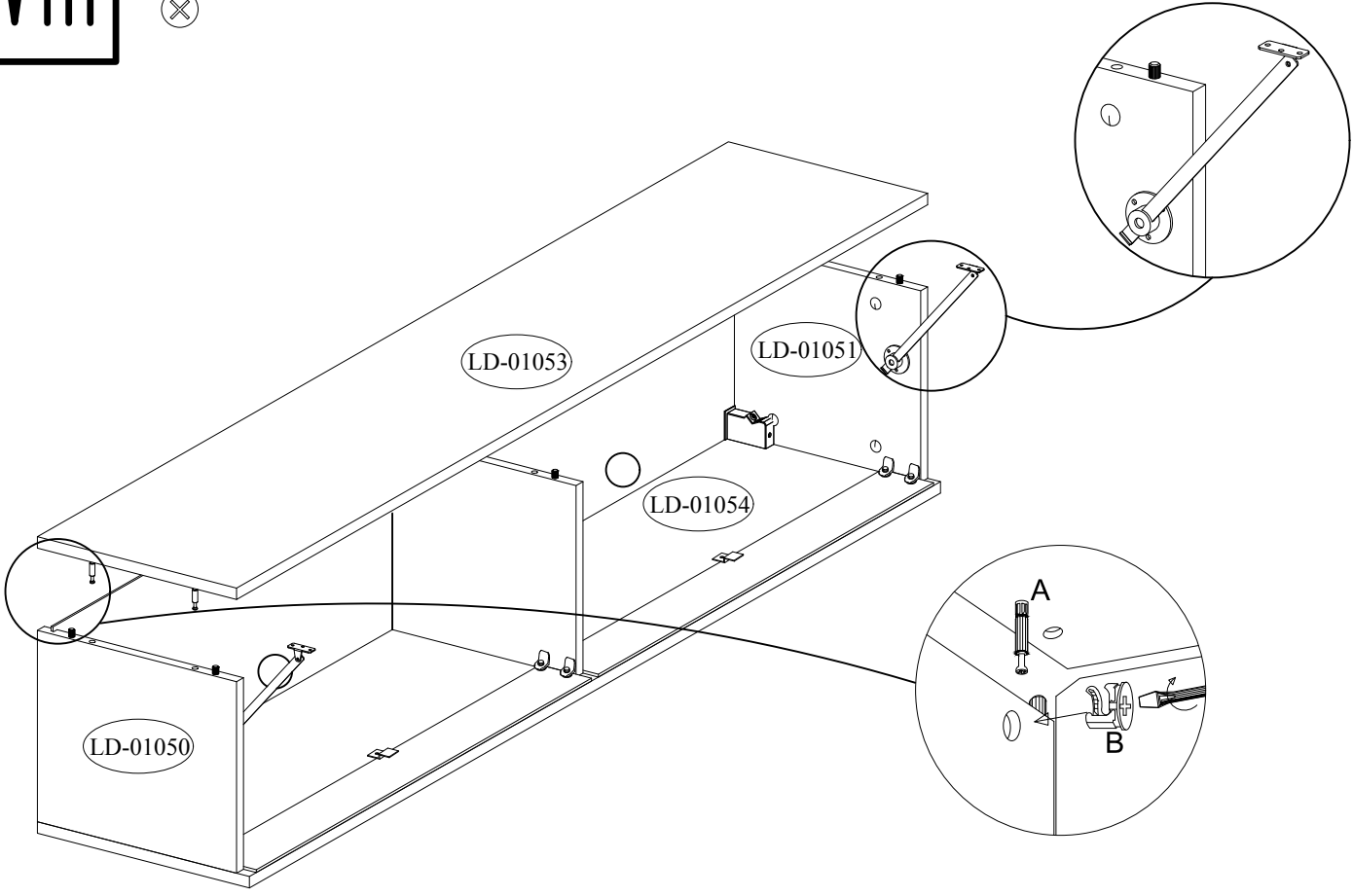
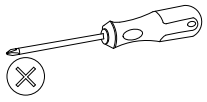
VII



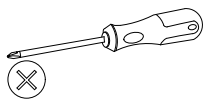
3.0x13		
	H	S3
2		2



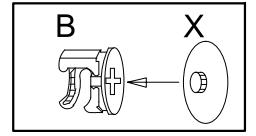
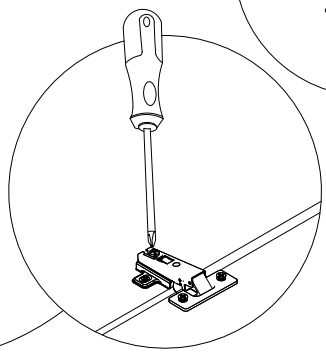
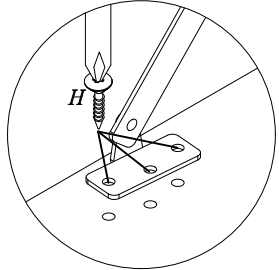
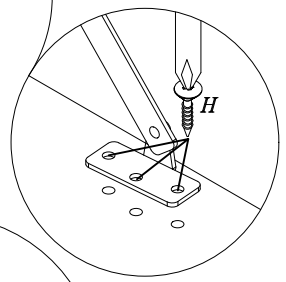
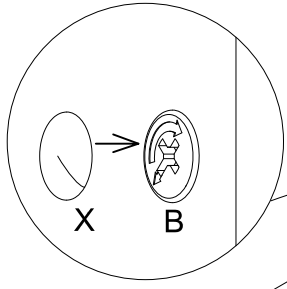
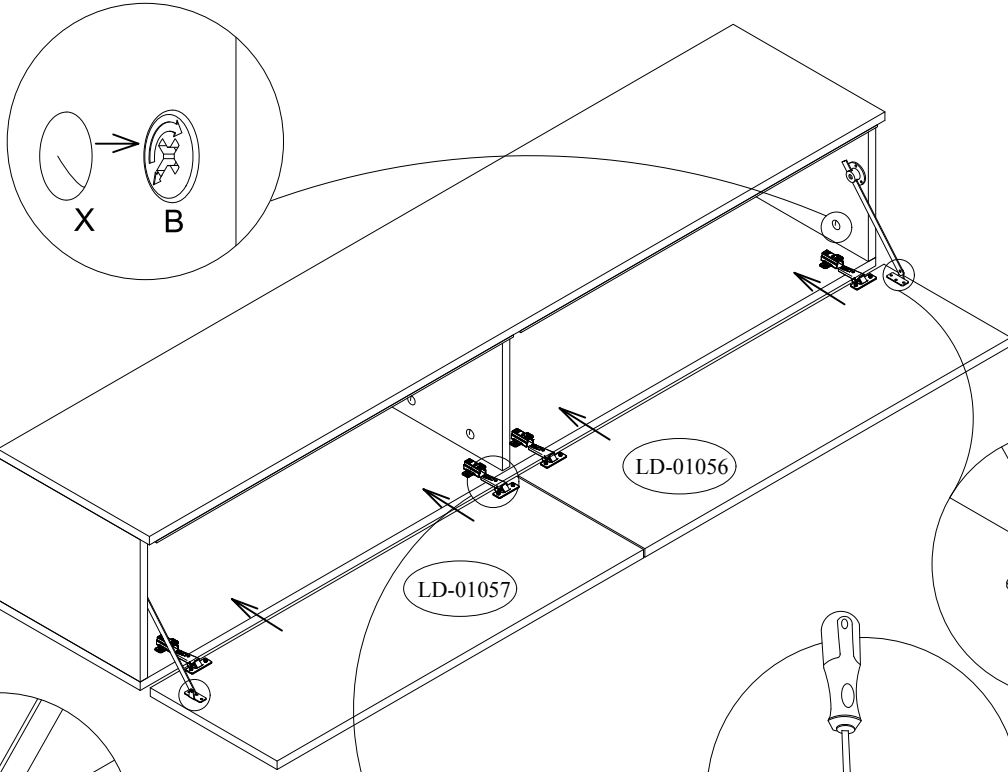
VIII



IX

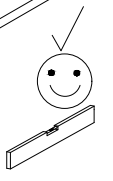
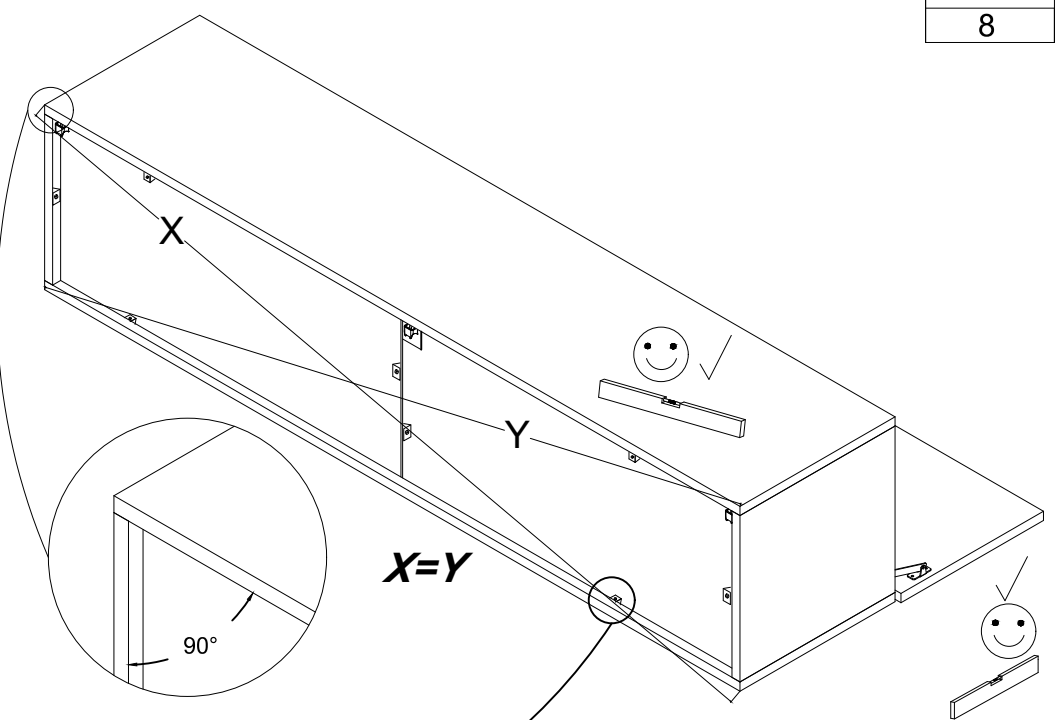
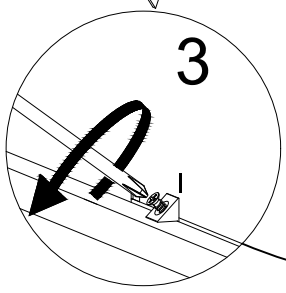
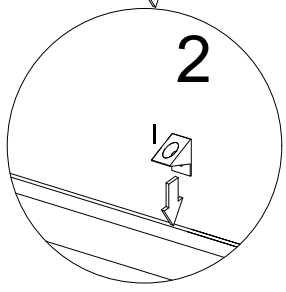
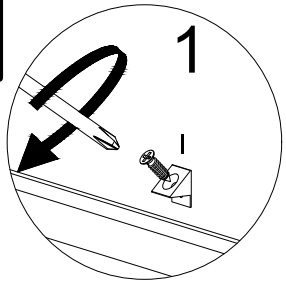


3.0x13		
	H	X
6		12

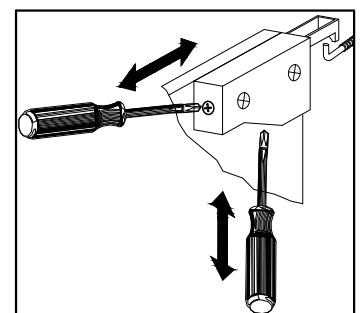
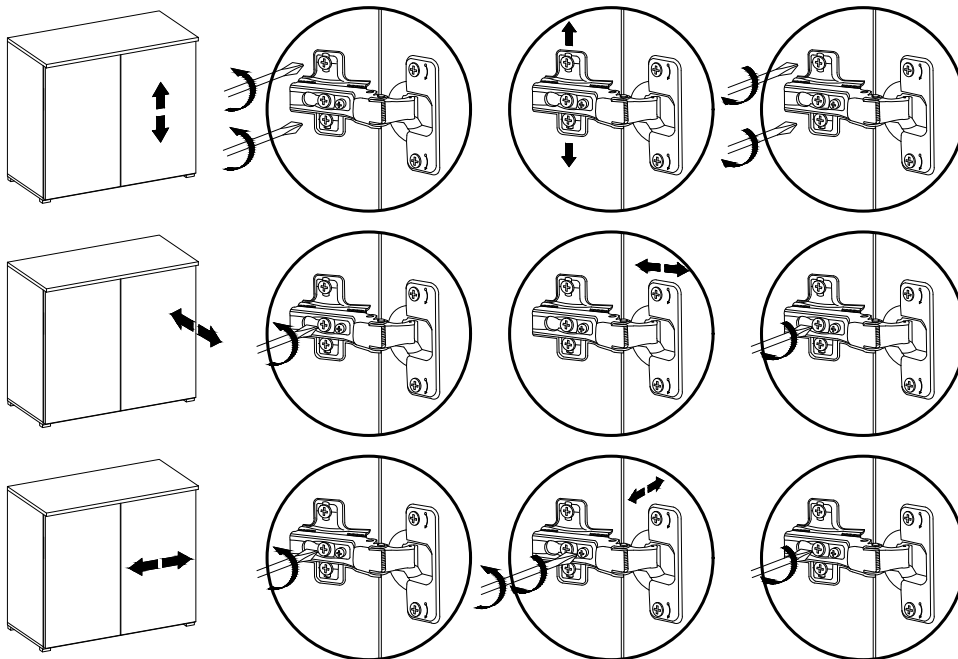
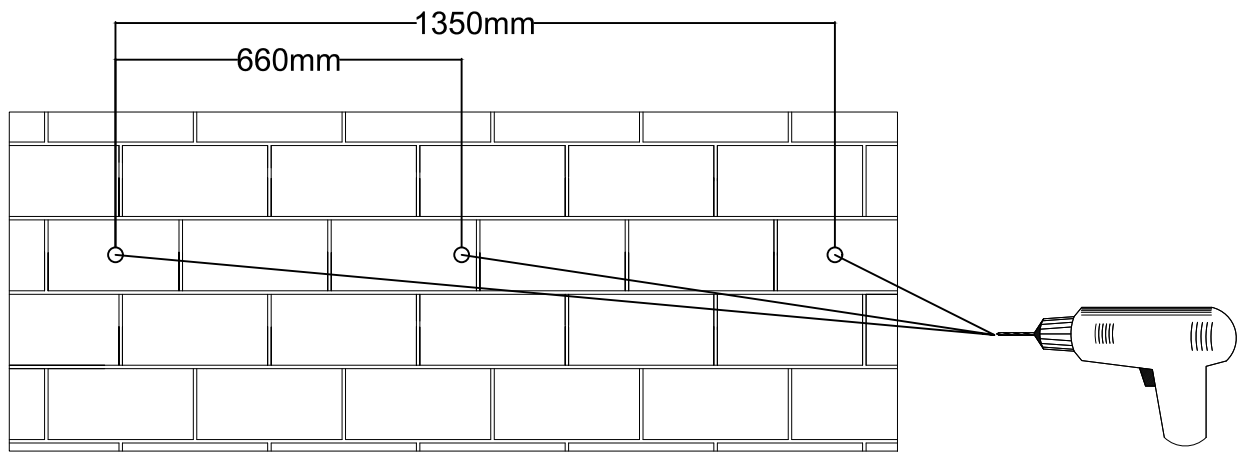


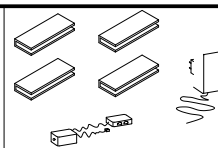
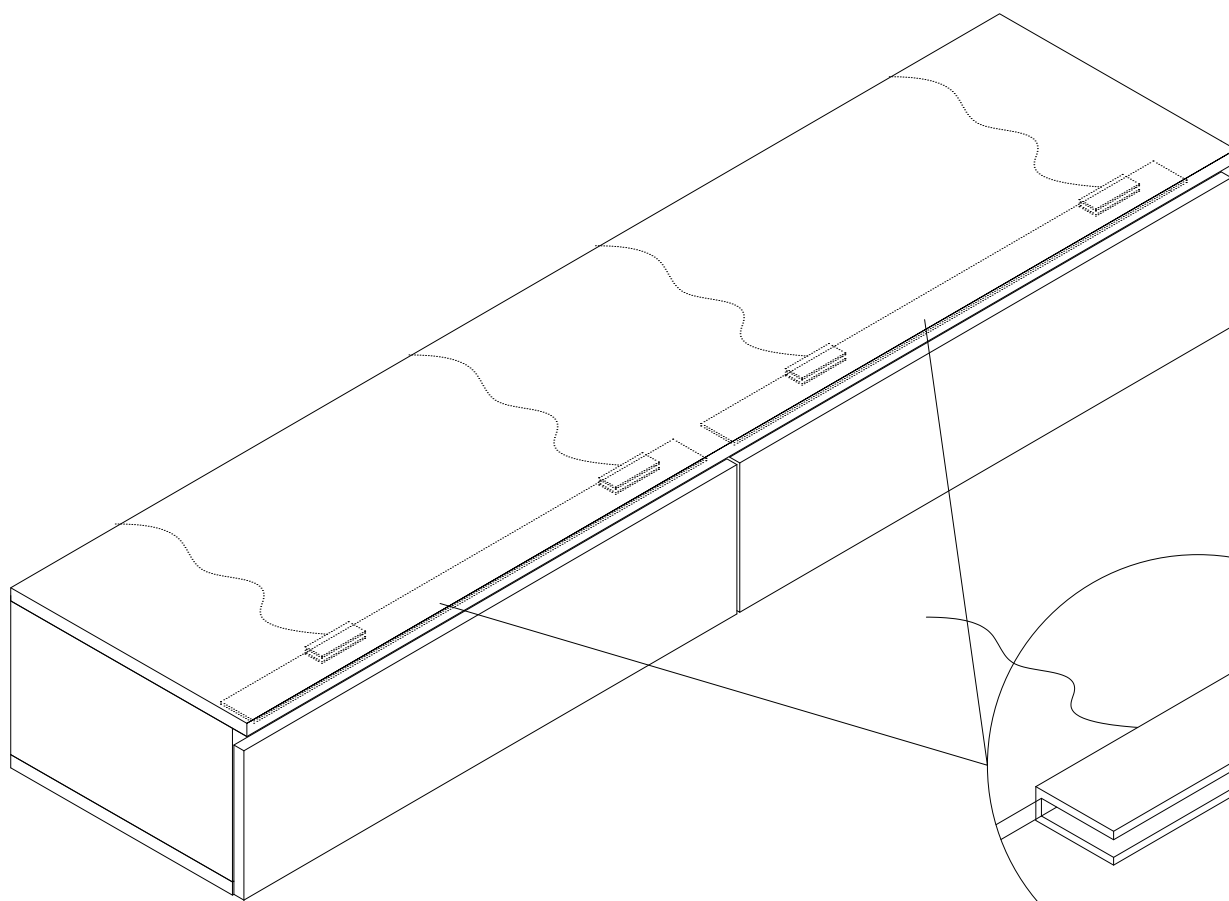
X

8



XI

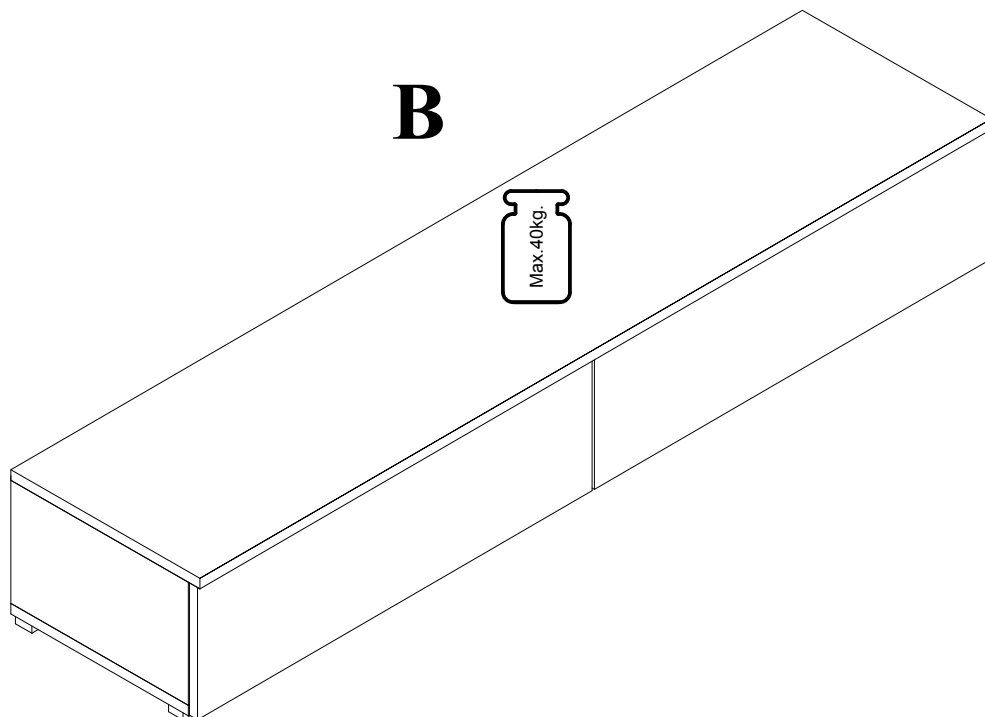




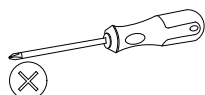
1 kpl.


XII

B



XIII



	4.0x25
M	G
6	12

